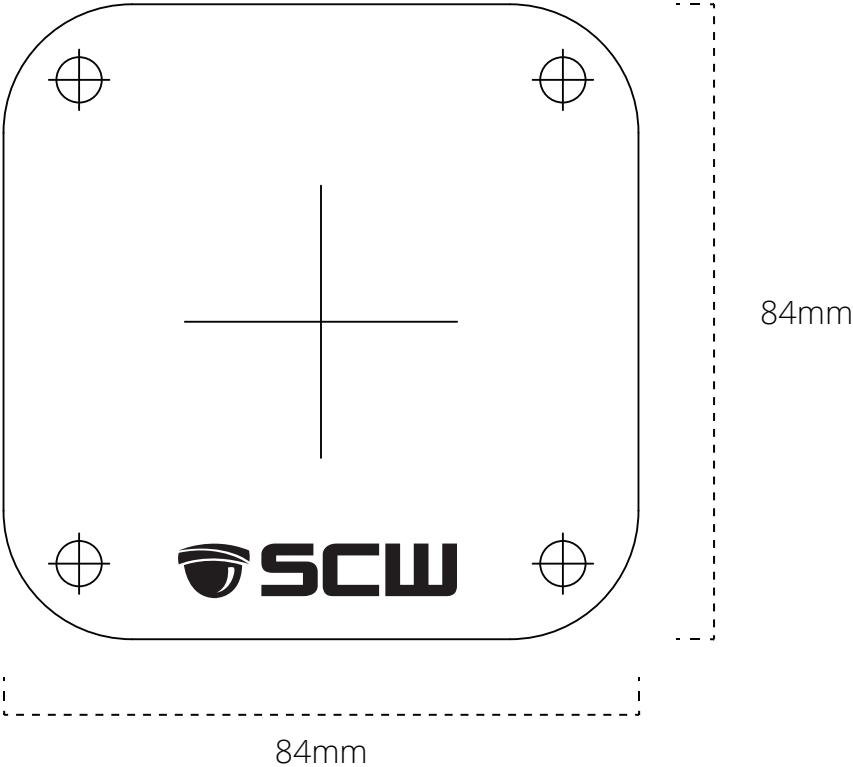


Electrical Mounting Box Drill Template
for use with the following models:

- Viking 4.0 - 26BV4
- Knight 2.0 - 26BV2-W
- Archer 2.0 - 26BV2-L
- Sharpshooter 2.0 - 26BV2-XL
- Gladiator 2.0 - 26BV8



****Make sure that your printer is set to print at 100% scale**
Do NOT resize or rescale the image.**